

STRAIGHT LINE WIPER

QUESTIONNAIRE



CONTACT INFORMATION

Name

Company

Address

City

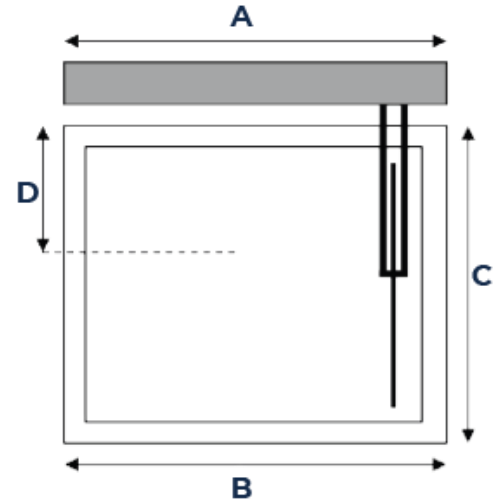
Country

Phone

E-mail

Project Mgr

Vessel Name



WINDOW TYPES



SYSTEM OPTIONS

<u>Multiple Zones Required</u>	<u>Wiper Unit Location</u>	<u>System Voltage</u>	<u>Washing System Required</u>	<u>Space Avail. For Motor Mount</u>
<input type="checkbox"/> Yes	<input type="checkbox"/> Above Window	<input type="checkbox"/> 24VDC	<input type="checkbox"/> Yes	
<input type="checkbox"/> No	<input type="checkbox"/> Below Window	<input type="checkbox"/> 110VAC	<input type="checkbox"/> No	
		<input type="checkbox"/> 220VAC		

WINDOW DIMENSIONS (MM)

	Port	Port/Center	Center	Starboard/Center	Starboard
Window Type (see above)	<input type="text"/>	<input type="text"/>	<input type="text"/>	<input type="text"/>	<input type="text"/>
Width of Glass – Top (A)	<input type="text"/>	<input type="text"/>	<input type="text"/>	<input type="text"/>	<input type="text"/>
Width of Glass – Bottom (B)	<input type="text"/>	<input type="text"/>	<input type="text"/>	<input type="text"/>	<input type="text"/>
Height of Glass – Top (C)	<input type="text"/>	<input type="text"/>	<input type="text"/>	<input type="text"/>	<input type="text"/>
Eye Level (D)	<input type="text"/>	<input type="text"/>	<input type="text"/>	<input type="text"/>	<input type="text"/>
Window Frame*	<input type="text"/>	<input type="text"/>	<input type="text"/>	<input type="text"/>	<input type="text"/>

*The "Window Frame Dimension" is crucial for multiple wiper installations or dual wiper

ADDITIONAL COMMENTS

IMPORTANT NOTE:

It is always helpful to have drawings of the windows whenever possible.

CLICK HERE AND SEND TO: